

# Brakes

---

## Parking Brake Lever Freeplay

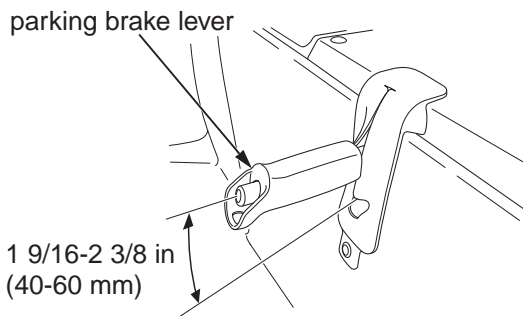
Refer to *Safety Precautions* on page 79.

### Inspection

1. Pull the parking brake lever, and roll up the side nets (page 35).
2. Measure the distance the parking brake starts to take hold.

Parking brake lever freeplay is:

1 9/16-2 3/8 in (40-60 mm)



If adjustment is necessary, have the parking brake adjusted by your dealer.