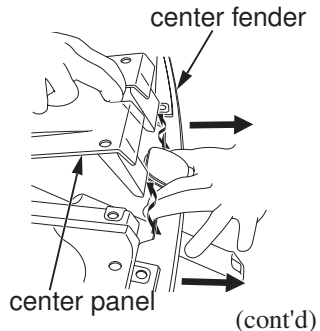
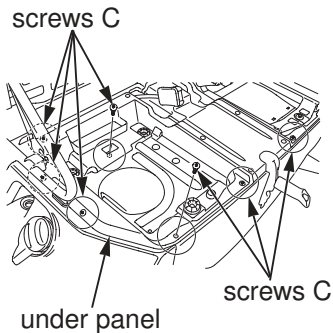
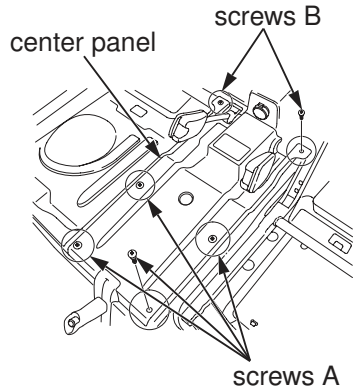
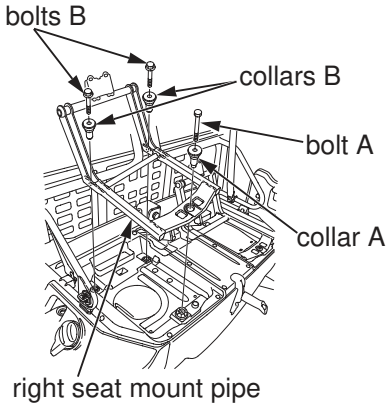


Engine Oil & Filter

Install a New Engine Oil Filter:

7. Remove the seat (page 93) and seat -back (page 37).
8. Remove the right seat mount pipe by removing the bolt A, bolts B, collar A and collars B.
9. Remove the screws A, screws B and screws C.
10. Remove the center panel while pulling forward the middle of the center fender.
11. Remove the under panel.



(cont'd)