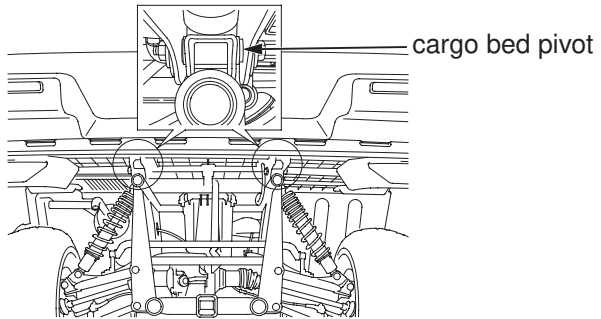


# Lubrication

---

Lubricate the cargo bed pivots as shown in following illustration.



Lubricate the cargo bed latch pivots as shown in the following illustration.

Lift the cargo bed ([page 46](#)).

