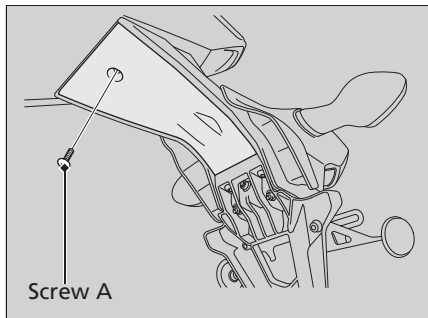
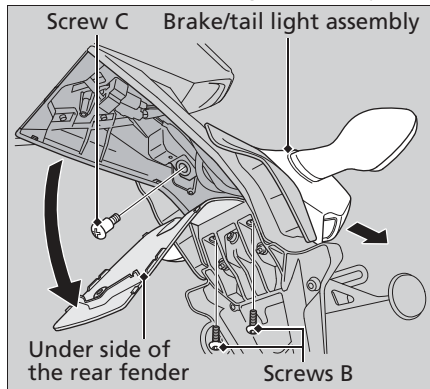


■ Brake/Tail Light Bulb

1. Remove the screw A.



2. Open the under side of the rear fender.
3. Remove the screws B and the screw C.
4. Remove the brake/tail light assembly.



5. Turn the socket counterclockwise, and remove it.