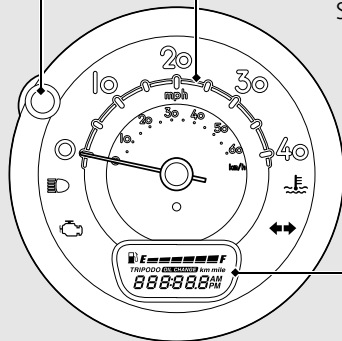


Instruments

MODE switch

Speedometer

Shows riding speed in miles per hour.



Display Check

When the ignition switch is turned on, the speedometer needle swings to the maximum scale on the dial once, all the mode and digital segments will show.

If any part of these displays does not come on when it should, have your dealer check for problems.