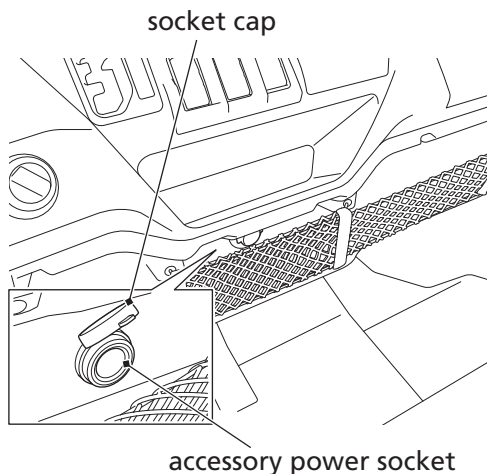


# Accessory Power Socket

---

(SXS1000M3L/M5L)



To use the accessory power socket, the engine must be running.

## NOTICE

*Using any heat-generating accessory or improperly rated accessory can damage the socket.*

Remember to close the cap when you are finished using an accessory, and keep water or other fluids away from the socket.