

Safety Labels

SXS1000M3/M3P/M5P/M5D

⚠ WARNING

Improper Use of Off-Highway Vehicles Can Cause Severe Injury or Death

Be Prepared

- Fasten seat belts.
- Wear an approved helmet and protective gear.
- Close doors and latch refts before driving.
- Each rider must be able to sit in a designated seating position with back against seat, feet flat on floor, and hands on steering wheel or handrests. Stay completely inside the vehicle.

Drive Responsibly

Avoid loss of control and rollovers:

- Avoid abrupt maneuvers, sideways sliding, skidding, or fishtailing, and never do donuts.
- Slow down before entering a turn.
- Avoid hard acceleration when turning, even from a stop.
- Plan for hills, rough terrain, ruts, and other changes in traction and terrain. Avoid paved surfaces.
- Avoid side hilling (riding across slopes).

Rollovers have caused severe injuries and death, even on flat, open areas.

Be Sure Riders Pay Attention and Plan Ahead

If you think or feel the vehicle may tip or roll, reduce your risk of injury:

- Keep a firm grip on the steering wheel or handrest and brace yourself.
- Do not put any part of your body outside of the vehicle for any reason.

Require Proper Use of Your Vehicle

Do your part to prevent injuries:

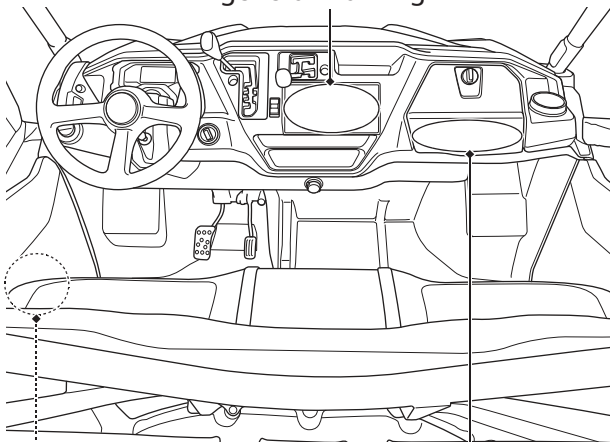
- Do not allow careless or reckless driving.
- Make sure operators are 16 or older.
- Do not let people drive or ride after using alcohol or drugs.
- Do not allow operation on public roads (unless it is an unpaved road designated for off-highway vehicle access) — collisions with cars and trucks can occur.
- Do not exceed seating capacity.

Vehicle	Driver	Passenger
SXS1000M3/M3P	1	2
SXS1000M5P/M5D	1	4

Severely obese 16'

Locate and Read Owner's Manual Follow All Instructions and Warnings

general warning



Shift and Drive select Information

- To prevent drivetrain damage, bring the unit to a complete stop before operating the shift select lever (L - H - N - R - P) and drive mode select lever (Turf - 2WD - 4WD - 4WD Diff Lock).
- Turning in 4WD-Lock (Front Diff Lock) requires more steering effort. Allow more room to turn.

shift & drive select

(USA - 49 states, Canada, Australia, New Zealand models)

(USA - 50 states [meets California] models)

⚠ WARNING

Improper tire pressure, overloading or overly worn or damaged tires can cause loss of control. Loss of control can result in severe injury or death. Check tires before each use.

<p>Cold tire pressure: Front: 13 psi (90 kPa) Rear: 14 psi (100 kPa)</p>	<p>Maximum weight capacity: 1649 lbs. (748 kg) (including weight of cargo, occupants, accessories and trailer tongue load)</p>
-----------------------------------------------------------------------------------------	-----------------------------------------------------------------------------------------------------------------------------------------------

⚠ WARNING

Improper tire pressure, overloading or overly worn or damaged tires can cause loss of control. Loss of control can result in severe injury or death. Check tires before each use.

<p>Cold tire pressure: Front: 13 psi (90 kPa) Rear: 14 psi (100 kPa)</p>	<p>Maximum weight capacity: 1248 lbs. (566 kg) (including weight of cargo, occupants, accessories and trailer tongue load)</p>
-----------------------------------------------------------------------------------------	-----------------------------------------------------------------------------------------------------------------------------------------------

tire & overload warning