

# Lubrication

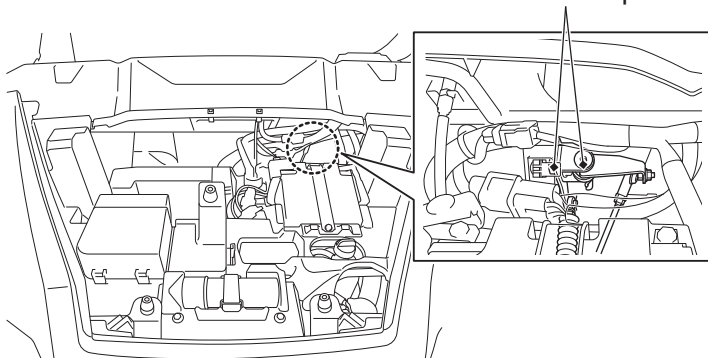
---

Lubricate the shift select lever pivots as shown in the following illustration.

Remove the front hood (page 137).

**UNDER FRONT HOOD**

shift select lever pivots



Lubricate the drive mode select lever pivots as shown in the following illustration.

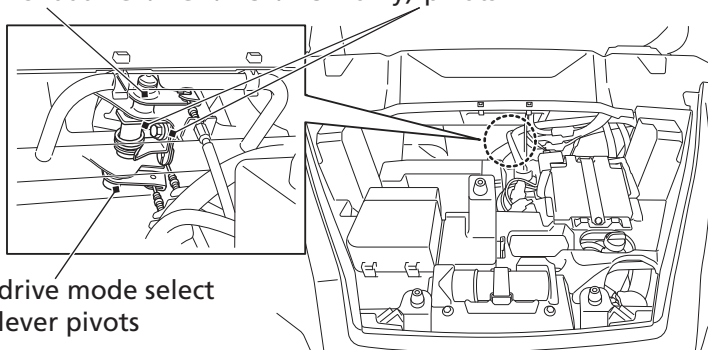
Remove the front hood (page 137).

**UNDER FRONT HOOD**

drive mode select lever pivots

drive mode select lever

(SXS1000M3P/M3D/M5P/M5D only) pivots



drive mode select  
lever pivots