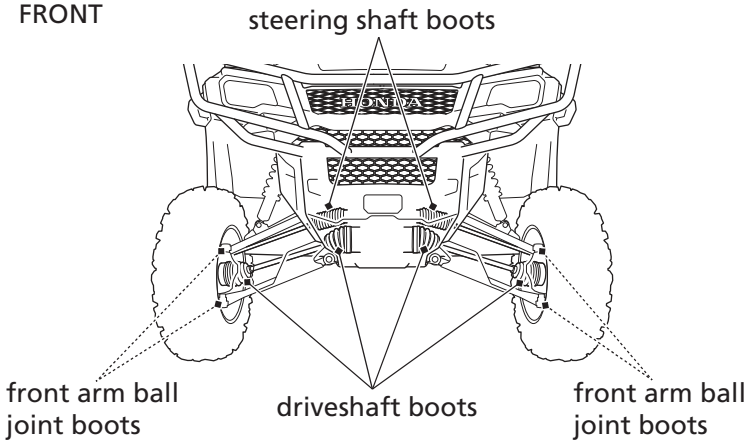


# Driveshaft Boots

---

Refer to *Safety Precautions* on page 123.

Check the rubber boots for tears or traces of splattered grease.  
If necessary, have your dealer replace them.



**REAR**

