

# Suspension

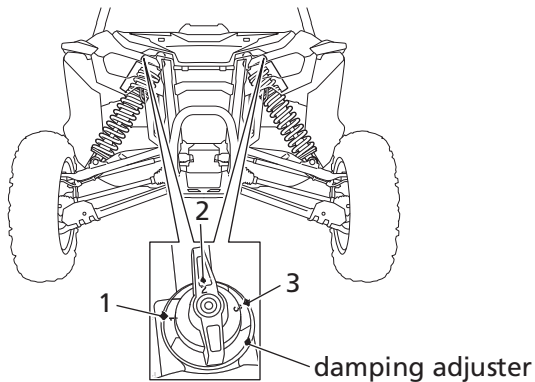
## Front Suspension Adjustment

The front suspension can be adjusted for driver, passenger and driving conditions by changing the low speed compression damping. Do not attempt to disassemble, service, or dispose of the damper; see your dealer. The instructions found in this owner's manual are limited to adjustments of the shock assemblies.

## Front Suspension Damping

Refer to *Safety Precautions* on page 107.

FRONT



The damping adjuster has 3 positions for different load or driving conditions.

Position 1: use in low payload conditions at low speeds.

Position 2: standard position.

Position 3: use in high payload conditions such as driving with 2 riders, and/or at higher speeds.

Make sure that both shock absorbers are adjusted to the same position.