

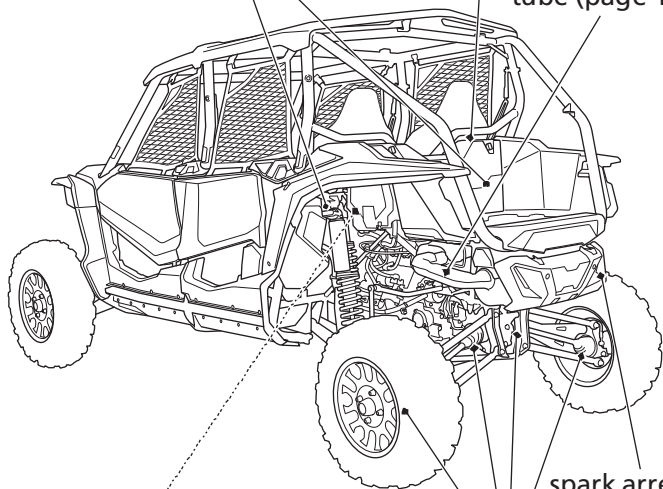
Maintenance Component Locations

- Indicates something visible.
-→ Indicates something concealed.

FOX Live Valve (FLV) system
(SXS1000S4D only)
(page 181)
rear suspension damping adjuster
(page 184)

air cleaner outer cover
(page 131)

air cleaner
housing drain
tube (page 167)



battery (page 202)
electric power steering (EPS) fuse
brake traction control system
(BTCS) fuse
radiator fan fuse (page 243)

spark arrester
(page 177)

driveshaft boots
(page 201)