

Suspension

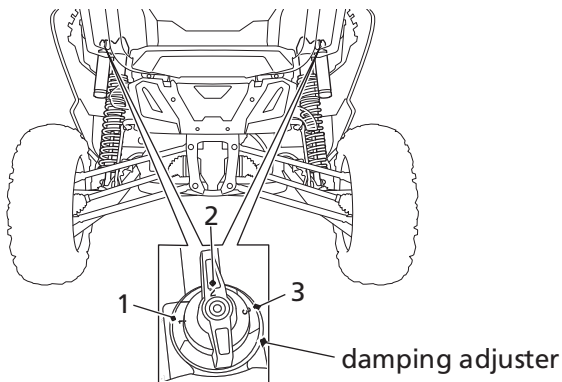
Rear Suspension Adjustment (SXS1000S4 only)

The rear suspension can be adjusted for rear passengers, carrying heavier cargo by changing the low speed compression damping. Do not attempt to disassemble, service, or dispose of the damper; see your dealer. The instructions found in this owner's manual are limited to adjustments of the shock assemblies.

Rear Suspension Damping (SXS1000S4 only)

Refer to *Safety Precautions* on page 115.

REAR



The damping adjuster has 3 positions for different load or driving conditions.

Position 1: use in low payload conditions at low speeds.

Position 2: standard position.

Position 3: use in high payload conditions such as driving with 4 riders, driving with cargo, and/or at higher speeds.

Make sure that both shock absorbers are adjusted to the same position.