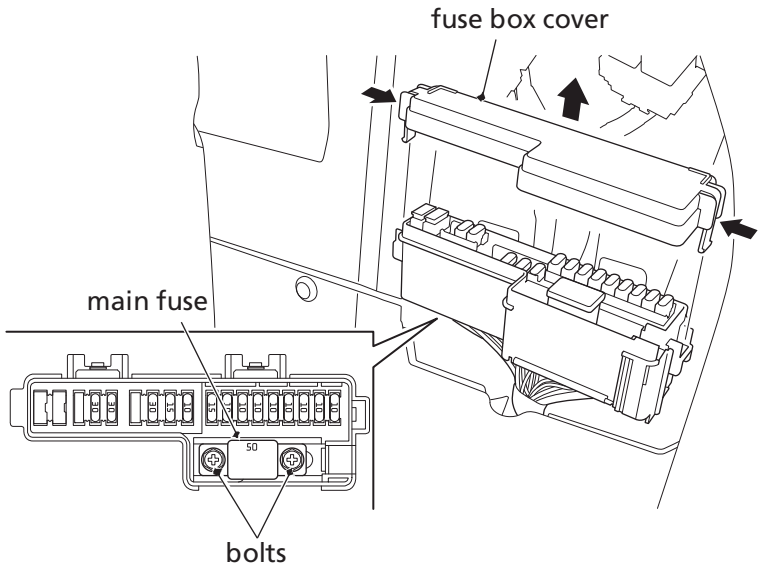


# If a Fuse Blows

---

## Main Fuse Access

3. Remove the fuse box cover.
4. To access the main fuse, remove the bolts, and then pull the main fuse out. If the main fuse is blown, see your dealer for this service.



(cont'd)