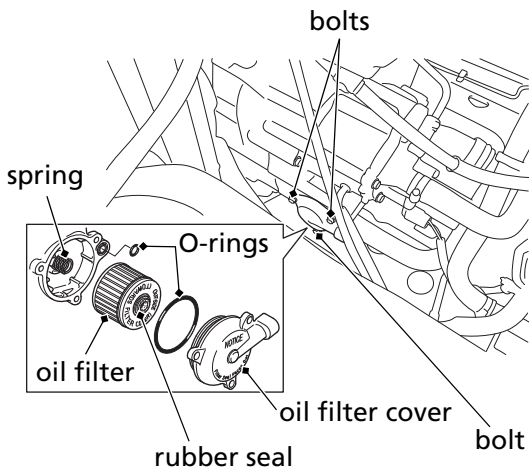


Engine Oil & Filter

9. Remove the oil filter cover by removing the bolts. Let the remaining oil drain out. Discard the oil filter in an approved manner.
10. Coat new O-rings with engine oil and install them into each groove in the filter cover and crank case.
11. Reposition the spring to the engine crankcase and install a new oil filter with the rubber seal facing out, away from the engine. You will see the "OUT-SIDE (TOWARD FILTER COVER)" mark on the filter body, near the seal. Use only the Honda Genuine oil filter or a filter of equivalent quality specified for your model. Using the wrong Honda filter or a non-Honda filter which is not of equivalent quality may cause engine damage.

NOTICE

Improper installation of the oil filter can cause serious engine damage.



(cont'd)