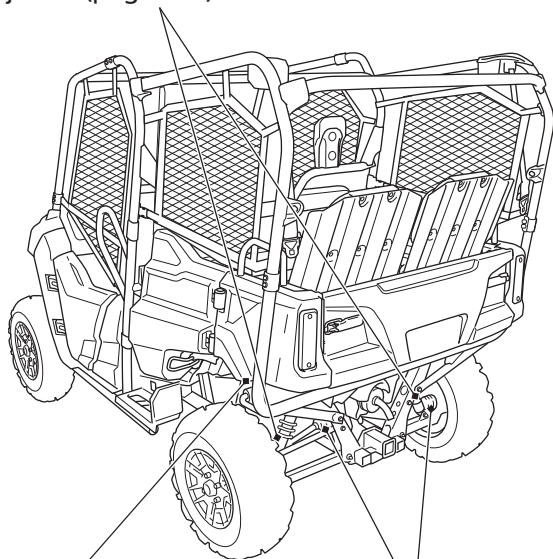


Maintenance Component Locations

- Indicates something visible.
-→ Indicates something concealed.

rear suspension spring pre-load adjuster (page 165)



rear brake caliper
(page 170)

driveshaft boots
(page 183)