

# Brakes

---

## Parking Brake Lever Freeplay

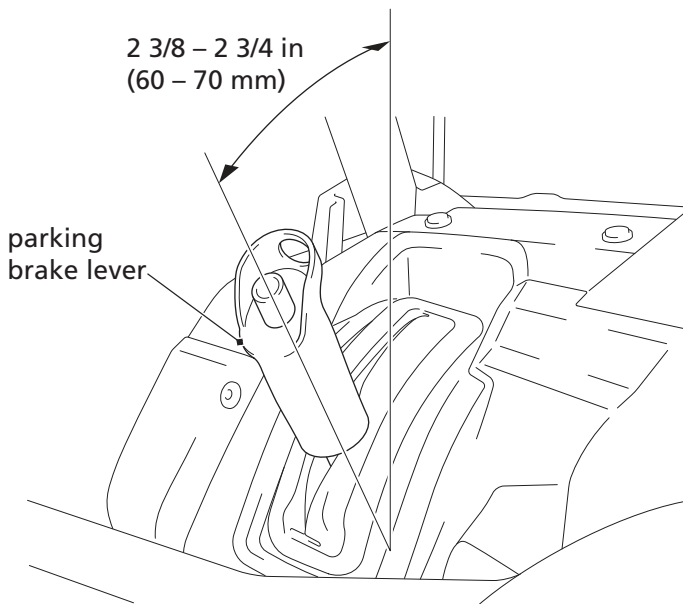
Refer to *Safety Precautions* on page 105.

### Inspection

Measure the distance the parking brake starts to take hold.

Parking brake lever freeplay is:

$2 \frac{3}{8} - 2 \frac{3}{4}$  in (60 – 70 mm)



If adjustment is necessary, have the parking brake adjusted by your dealer.