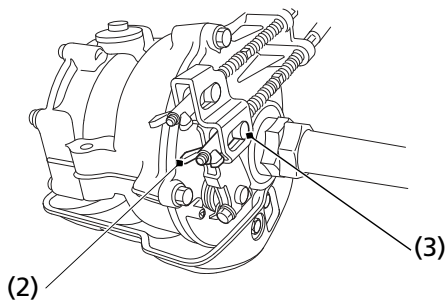


# Brakes

---

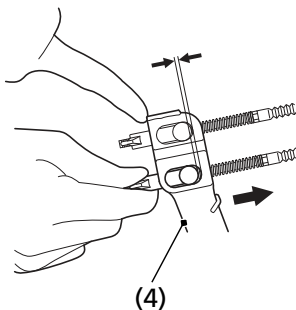
## Adjustment

### RIGHT REAR



- (2) brake pedal adjusting nut
- (3) brake arm pin

1. Turn the brake pedal adjusting nut (2), located on the brake operating rod at the rear of the frame. Make sure the cutout on the adjusting nut is properly seated on the brake arm pin (3).
2. Adjust the freeplay of the rear brake pedal. Push the brake arm (4), then check the clearance between the brake arm and the brake arm pin.



- (4) brake arm