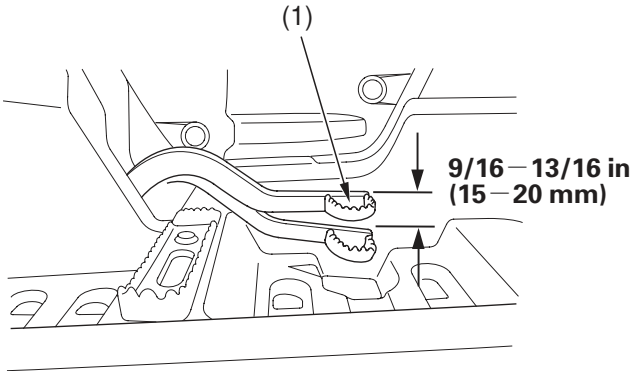


## Rear Brake Pedal Freeplay

RIGHT SIDE



(1) rear brake pedal

### Inspection

Measure the distance the rear brake pedal (1) moves before the brake starts to take hold. Freeplay, measurement at the tip of the end of the pedal, should be:

$9/16 - 13/16$  in (15 - 20 mm)

If necessary, adjust to the specified range.