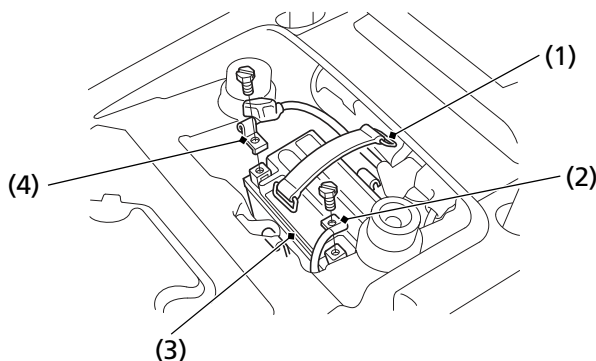


# Battery

---

The battery is located in a compartment under the seat.

## UNDER SEAT



(1) rubber band

(3) battery

(2) negative (-) terminal lead

(4) positive (+) terminal lead

## Removal

1. Make sure the ignition switch is OFF (O).
2. Remove the seat (page 90).
3. Release the rings and remove the rubber band (1).
4. Disconnect the negative (-) terminal lead (2) from the battery (3) first, then disconnect the positive (+) terminal lead (4).
5. Remove the battery.