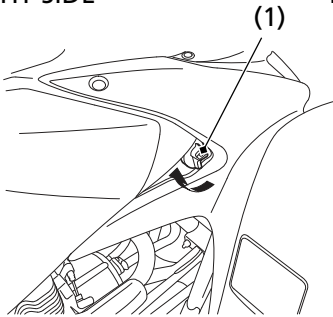


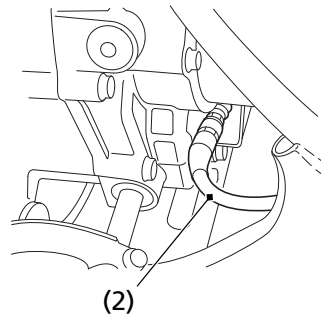
Reverse Lock System

Refer to *Safety Precautions* on [page 75](#).

RIGHT SIDE



REAR CRANKCASE



(1) reverse assist lever
(2) cable

1. Check the operation of the reverse assist lever (1) for smooth without sticking.
2. Check the reverse assist lever and cable (2) for loose connections or other damage. If the cable is worn or kinked, have it replaced by your dealer.