

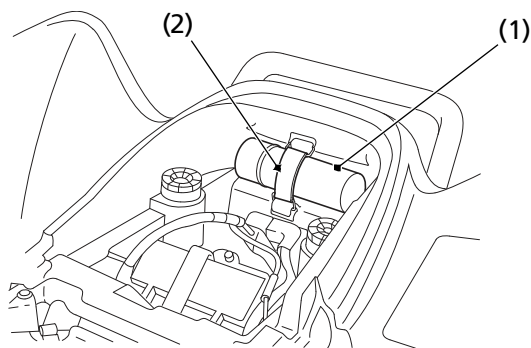
Tool Kit

The tool kit (1) is stored under the seat (page 87). After using the tools, be sure to use the rubber band (2) to fasten the tool kit securely.

The air pressure gauge should be stored in the tool kit.

An optional, larger tool kit may be available. Check with your dealer's parts department.

UNDER SEAT



- (1) tool kit
- (2) rubber band