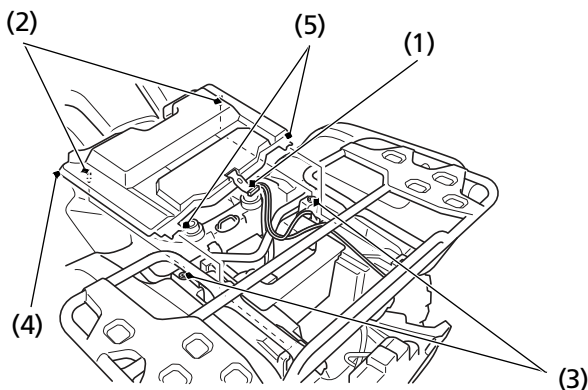


# Rear Fender Cover Removal

---

Refer to *Safety Precautions* on page 109.

The rear fender cover must be removed for battery, fuse maintenance and to access the owner's manual, air pressure gauge, gear change tool, tool kit and fuse puller.



(1) rubber strap

(2) prongs

(3) grommets

(4) rear fender cover

(5) tabs

## Removal

1. Remove the seat (page 120).
2. Unhook the rubber strap (1) with opening the storage compartment (page 48).
3. Firmly pull the prongs (2) from their grommets (3).
4. Slide the rear fender cover (4) forward to disengage the tabs (5).
5. Remove the rear fender cover.

## Installation

Install the parts in the reverse order of removal.