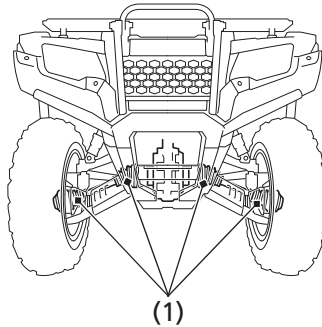


Drivetrain Boots

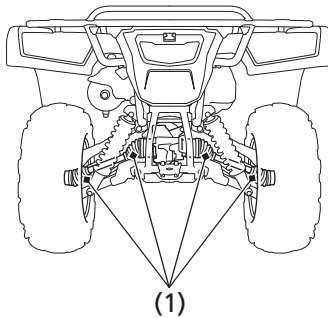
Front Driveshaft Boots & Rear Driveshaft Boots

Refer to *Safety Precautions* on [page 107](#).

FRONT



REAR



(1) driveshaft boots

Check the driveshaft boots (1) for cuts, damage or leaking grease. If necessary, have your dealer replace them.