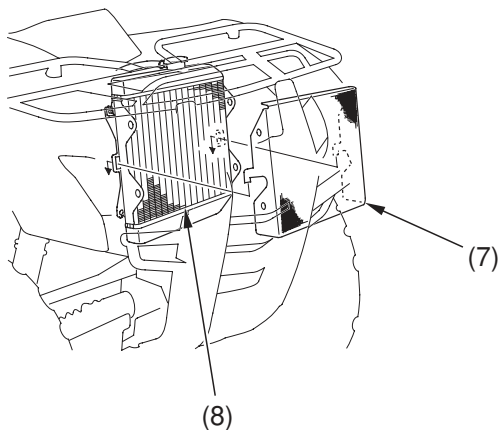


Coolant

4. Remove the radiator grill plate (7).
5. Wash the radiator core (8) and radiator grill plate.
6. Install the removed parts in reverse order of removal.

FRONT



(7) radiator grill plate

(8) radiator core