

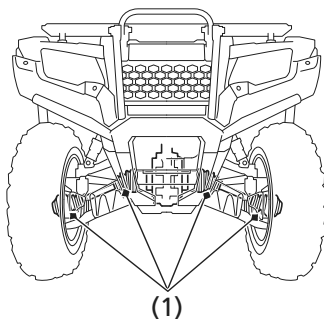
# Drivetrain Boots

---

## Front Driveshaft Boots (Except TRX420TM1)

Refer to *Safety Precautions* on [page 103](#).

### FRONT



### (1) driveshaft boots

Check the driveshaft boots (1) for cuts, damage or leaking grease. If necessary, have your dealer replace them.