

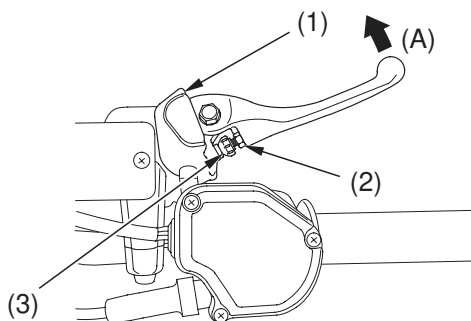
Brakes

Front Brake Lever Adjuster

Refer to *Safety Precautions* on page 73.

The distance between the tip of the front brake lever and the grip can be adjusted.

RIGHT HANDLEBAR



(1) brake lever cover

(3) adjust bolt

(2) lock nut

1. Pull back the brake lever cover (1).
2. Loosen the lock nut (2), push the front brake lever forward (A), and turn the adjust bolt (3).
3. Apply the brake, release it, then spin the wheel and check that it rotates freely. Repeat this procedure several times.
4. Fasten the lock nut.