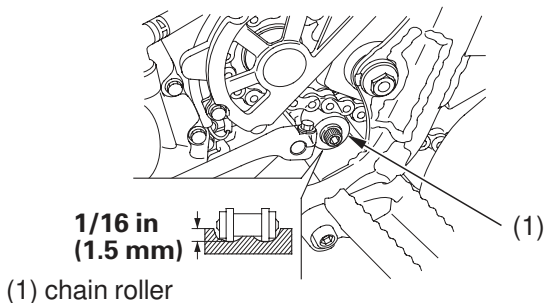


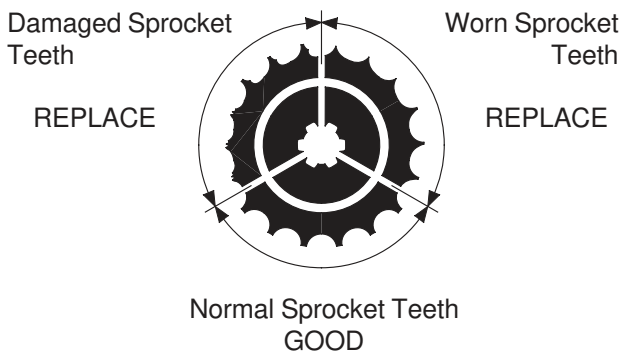
Drive Chain

6. Check the chain roller (1) for wear and have it replaced if necessary. The chain roller must be replaced if it is worn to 1/16 in (1.5 mm). For replacement, see your dealer.

LEFT SIDE



7. Inspect the front and rear sprocket teeth for excessive wear or damage. If necessary, have your dealer replace a worn sprocket.



NOTICE

Use of a new chain with worn sprockets will cause rapid chain wear.