

# Vehicle Identification

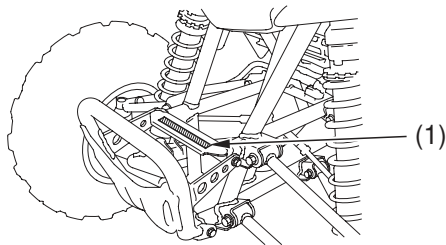
---

## Serial Numbers

The VIN, engine serial number, and key number may be required when ordering replacement parts. You may record these numbers in the Quick Reference section at the rear of this manual.

The VIN (1) is stamped on the front of the frame.

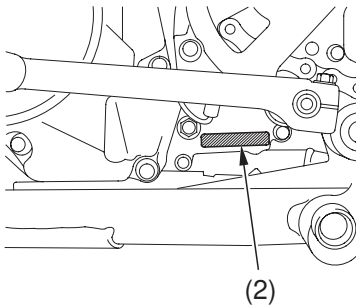
FRONT



(1) VIN

The engine number (2) is stamped on the left side of the crankcase.

LEFT SIDE



(2) engine number