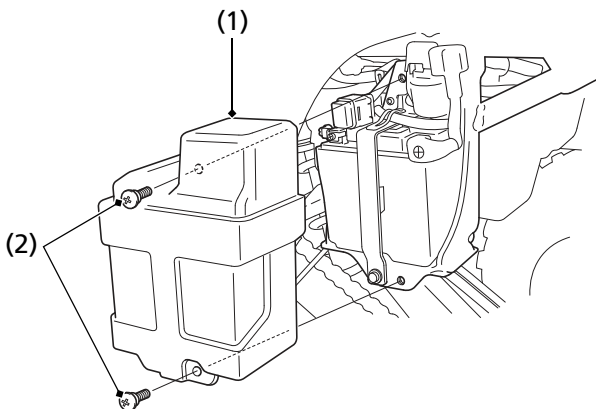


# Battery

---

The battery is located in a compartment under the left rear fender.

## LEFT SIDE



(1) battery cover

(2) screws

### Removal

1. Make sure the ignition switch is OFF (O).
2. Remove the battery cover (1) by removing the screws (2).