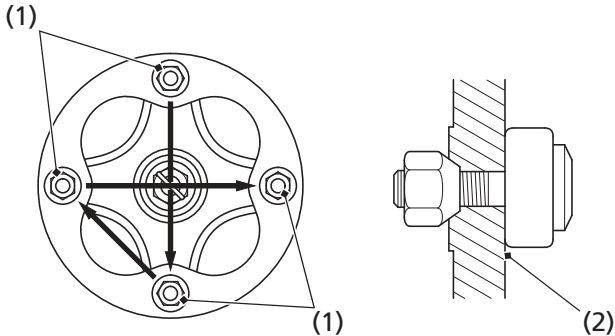


# If You Have a Flat Tire

## Emergency Wheel Removal/Installation

Refer to *Safety Precautions* on [page 73](#).



(1) wheel nuts

(2) wheel rim

### Removal

1. Park your ATV on a firm, level surface.
2. Loosen — but do not remove — the wheel nuts (1).
3. Raise the front (or rear) wheels off the ground and place a support block under the vehicle.
4. Remove the wheel nuts.
5. Remove the wheel.
  - Avoid getting grease, oil, or dirt on the disc or pad surfaces when removing and installing each wheel. Any contamination can cause poor brake performance or rapid pad wear after reassembly.