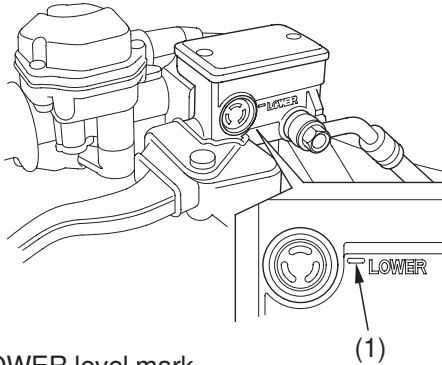


Fluid Level Inspection

Refer to *Safety Precautions* on page 105.

RIGHT HANDLEBAR



(1) LOWER level mark

If your inspection indicates a low fluid level, have your dealer add the recommended fluid.

Do not add or replace brake fluid, except in an emergency. If you do add fluid, have your dealer check the system as soon as possible.

NOTICE

Brake fluid can damage plastic and painted surfaces. Handle with care.