

# Safety Labels

## DRIVELINE INFORMATION

Driving in Front Differential Lock Mode changes the way your vehicle handles and turns. Use this mode only at low speed. See owner's manual for more information.

## BRAKING INFORMATION

With four-wheel drive, operating any brake control causes braking at both the front and rear wheels. For detailed braking information, refer to the Owner's Manual.

(For Canada)


THIS VEHICLE IS AN ALL-TERRAIN VEHICLE AND IS NOT INTENDED FOR USE ON PUBLIC HIGHWAYS.  
CE VÉHICULE EST UN VÉHICULE TOUT TERRAIN ET DONT L'USAGE N'EST PAS DESTINÉ AUX VOIES PUBLIQUES.

**WARNING**

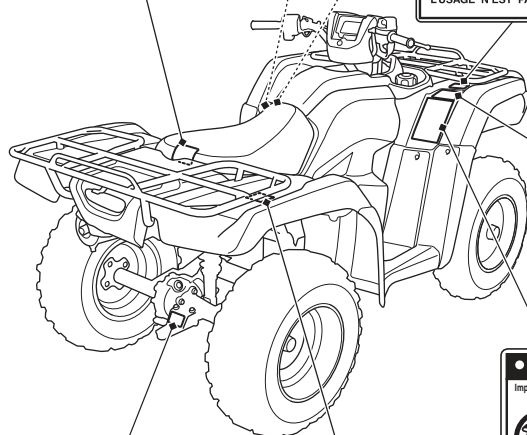


**NEVER** ride as a passenger. Passengers can cause a loss of control, resulting in SEVERE INJURY or DEATH.

**WARNING**



Operating this ATV if you are under the age of 16 increases your chance of severe injury or death.  
**NEVER** operate this ATV if you are under age 16.



**WARNING**

Towing an improperly loaded trailer can cause loss of control.

- Read towing instructions in owner's manual
- Tow weight limit : 850lbs. (385kg)
- Tongue weight : 30lbs. ( 14kg)

**WARNING**

Overloading this ATV or carrying cargo improperly can change handling, stability and braking performance and can lead to an accident.

**Never** exceed the maximum rear cargo limit (combined weight on the rear rack and in the storage area) of 176 lbs (80 kg).

Refer to instructions in the Owner's Manual.

**WARNING**

Improper ATV use can result in SEVERE INJURY or DEATH



**ALWAYS** USE AN APPROVED HELMET AND PROTECTIVE GEAR

**NEVER** USE ON PUBLIC ROADS

**NEVER** CARRY PASSENGERS

**NEVER** USE WITH DRUGS OR ALCOHOL

**NEVER** operate:

- without proper training or instruction
- at speeds too fast for your skills or the conditions
- on public roads - a collision can occur with another vehicle
- with a passenger - passengers affect balance and steering and increase risk of losing control

**ALWAYS:**

- use proper riding techniques to avoid vehicle overturns on hills and rough terrain and in turns
- avoid paved surfaces - pavement may seriously affect handling and control

LOCATE AND READ OWNER'S MANUAL.  
FOLLOW ALL INSTRUCTIONS AND WARNINGS.