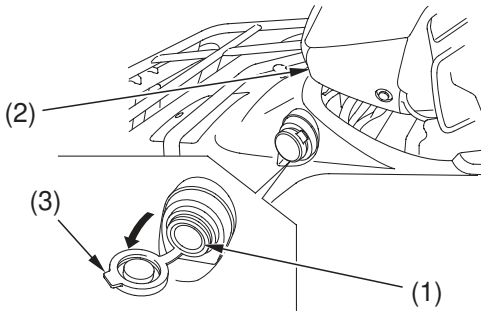


Controls & Features

Accessory Socket

LEFT FRONT



(1) accessory socket
(2) assist headlight

(3) cap

The accessory socket (1) is attached to the left side under the assist headlight (2). You can use the accessory socket to power a trouble light, spotlight, CB radio, or cell phone, etc.

NOTICE

Do not plug in any heat-generating accessory, such as an automobile cigarette lighter, because it can damage the socket.

To use the accessory socket, turn the ignition switch ON (|), start the engine. Then turn the headlights OFF (•), and open the accessory socket cap (3).