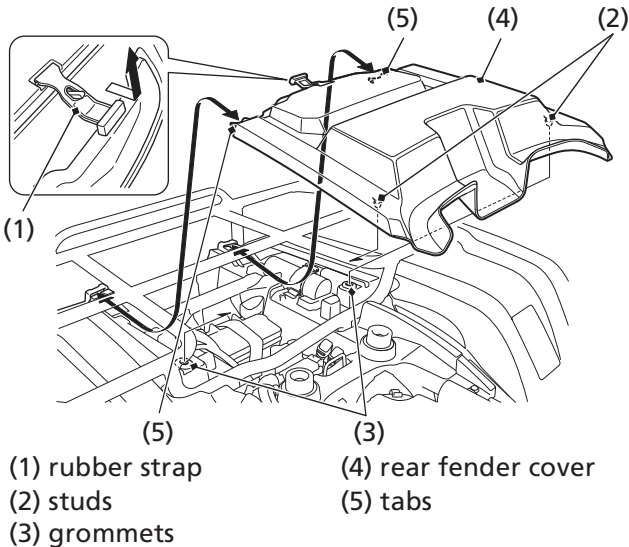


Rear Fender Cover Removal

Refer to *Safety Precautions* on [page 109](#).

The rear fender cover must be removed for the battery and fuse maintenance and to access the owner's manual, air pressure gauge and tool kit.



Removal

1. Remove the seat (page 120).
2. Unhook the rubber strap (1).
3. Firmly pull the studs (2) from the grommets (3).
4. Slide the rear fender cover (4) forward to disengage the tabs (5).
5. Remove the rear fender cover.

Installation

Install the rear fender cover in the reverse order of removal.