

# Safety Labels

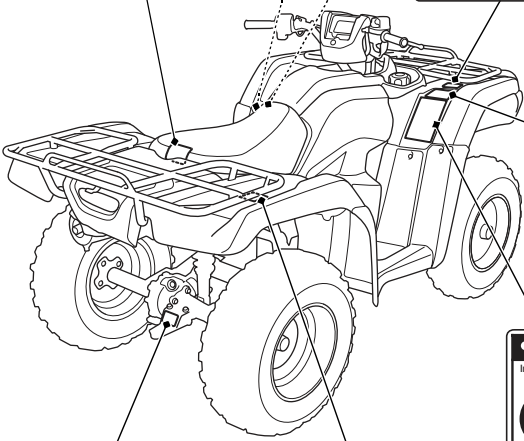
**DRIVELINE INFORMATION**  
 Driving in Front Differential Lock Mode changes the way your vehicle handles and turns. Use this mode only at low speed. See owner's manual for more information.

**BRAKING INFORMATION**  
 With four-wheel drive, operating any brake control causes braking at both the front and rear wheels. For detailed braking information, refer to the Owner's Manual.

**WARNING**  
  
**NEVER** ride as a passenger. Passengers can cause a loss of control, resulting in SEVERE INJURY or DEATH.

(For Canada)

THIS VEHICLE IS AN ALL-TERRAIN VEHICLE AND IS NOT INTENDED FOR USE ON PUBLIC HIGHWAYS.  
 CE VÉHICULE EST UN VÉHICULE TOUT TERRAIN ET DONT L'USAGE N'EST PAS DESTINÉ AUX VOIES PUBLIQUES.



**WARNING**  
  
 Operating this ATV if you are under the age of 16 increases your chance of severe injury or death.  
**NEVER** operate this ATV if you are under age 16.

**WARNING**  
 Towing an improperly loaded trailer can cause loss of control.  
 ● Read towing instructions in owner's manual  
 ● Tow weight limit : 850lbs. (385kg)  
 ● Tongue weight : 30lbs. (14kg)

**WARNING**  
 Overloading this ATV or carrying cargo improperly can change handling, stability and braking performance and can lead to an accident.  
**Never exceed the maximum rear cargo limit (combined weight on the rear rack and in the storage area) of : 176 lbs (80 kg).**  
 Refer to instructions in the Owner's Manual.

**WARNING**  
 Improper ATV use can result in SEVERE INJURY or DEATH






**ALWAYS USE AN APPROVED HELMET AND PROTECTIVE GEAR**    **NEVER USE ON PUBLIC ROADS**    **NEVER CARRY PASSENGERS**    **NEVER USE WITH DRUGS OR ALCOHOL**

**NEVER operate:**

- without proper training or instruction
- at speeds too fast for your skills or the conditions
- on public roads - a collision can occur with another vehicle
- with a passenger - passengers affect balance and steering and increase risk of losing control

**ALWAYS:**

- use proper riding techniques to avoid vehicle overturns on hills and rough terrain and in turns
- avoid paved surfaces - pavement may seriously affect handling and control

LOCATE AND READ OWNER'S MANUAL.  
 FOLLOW ALL INSTRUCTIONS AND WARNINGS.