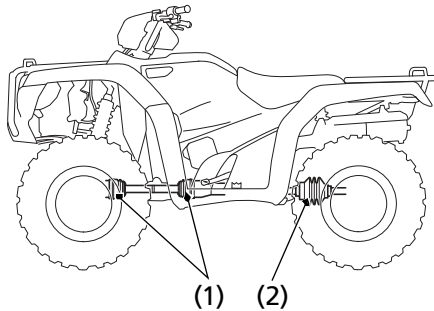


Drivetrain Boots

Propeller Shaft Boots & Yoke Joint Boot

Refer to *Safety Precautions* on page 109.



- (1) propeller shaft boots
- (2) yoke joint boot

Check the propeller shaft boots (1) and yoke joint boot (2) for cuts, damage or leaking grease. If necessary, have your dealer replace them.