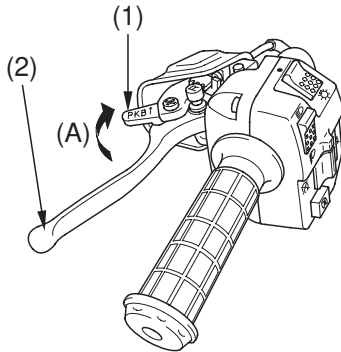


Controls & Features

Parking Brake

LEFT HANDLEBAR



(1) lock lever

(A) to lock

(2) rear brake lever/parking brake lever

The lock lever (1) on the rear brake lever/parking brake lever (2) allows it to be used as a parking brake. To operate, first squeeze the rear brake lever/parking brake lever using your left hand and then lock it with the lock lever using your right hand. See *Parking* page 90 .

The brakelights are activated by applying the parking brake. When using the parking brake, be sure to turn the ignition switch OFF (O) to avoid discharging the battery.