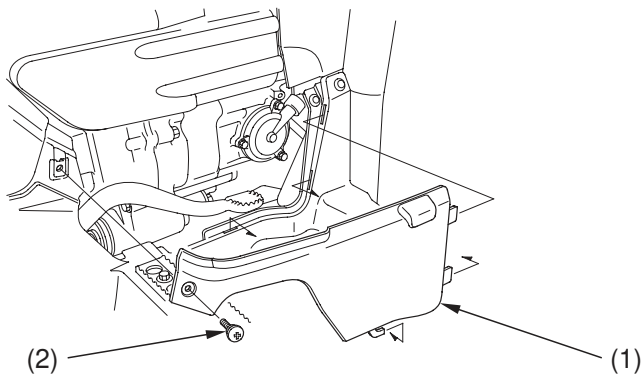


Engine Oil & Filter

Install a New Engine Oil Filter:

1. Remove the right engine sub cover (1) by removing the screw (2).

RIGHT SIDE



- (1) right engine sub cover
- (2) screw