

# Starting & Stopping the Engine

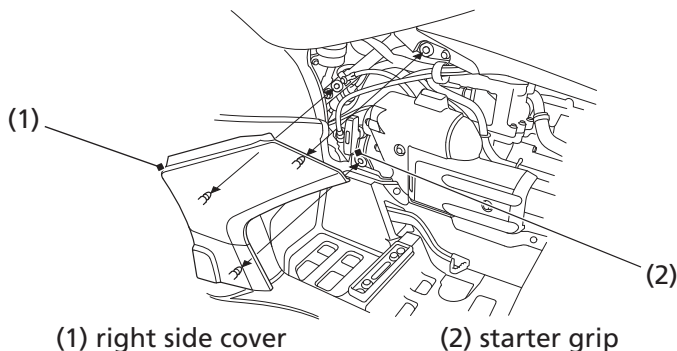
## Using the Recoil Starter

The recoil starter is used to start the engine when the battery is low. To operate the recoil starter:

1. Check that the transmission is in neutral.
2. Unsnap and remove the right side cover (1).
3. Grasp the starter grip (2) firmly, then pull it out slowly approximately 4 in (100 mm).
4. Pull the grip up briskly and fully.
5. After the engine starts, allow the starter grip to return slowly.

If the starter grip does not return smoothly, see your dealer.

### RIGHT SIDE



The engine cannot be started if the battery is disconnected, low or dead.

If the engine cannot be started with connecting the battery, charge the battery ([page 165](#)).

When the engine cannot be started even if the battery is charged, see your dealer.