

# Maintenance Component Locations

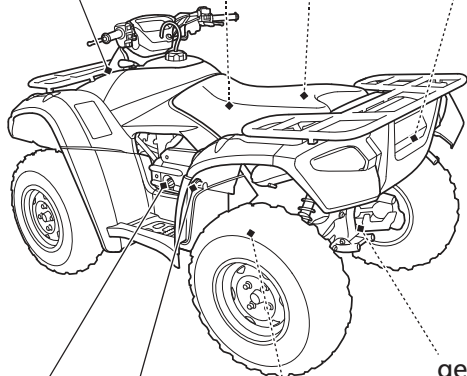
---

owner's manual  
storage compartment

air pressure gauge

spark plug    tool kit

spark arrester



engine oil dipstick

engine oil fill cap

engine oil drain bolt

gear case oil  
fill cap  
gear case oil  
drain bolt