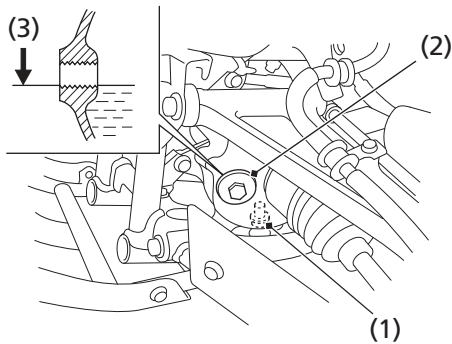


# Differential Oil

1. Park the ATV on level ground.
2. Place an oil drain pan under the oil drain bolt (1).
3. Remove the oil fill cap (2) and the drain bolt.
4. After the oil has completely drained, reinstall the drain bolt and tighten it to the specified torque:  
**9 lbf·ft (12 N·m , 1.2 kgf·m)**
5. Fill the differential with the recommended oil.  
**6.1 US oz (180 cm<sup>3</sup>)**  
Make sure the oil level is at the lower edge of the inspection hole (3).
6. Install the oil fill cap.

## FRONT



- (1) oil drain bolt
- (2) oil fill cap
- (3) lower edge of the inspection hole