

# Shifting Gears

---

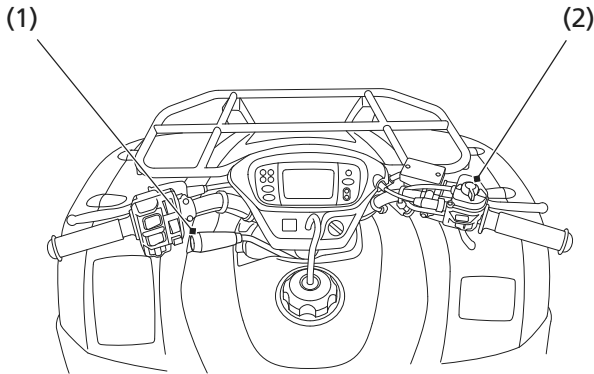
The shift lever (1) is located on the left side of the fuel tank. To shift the shift lever, bring the ATV to a complete stop.

## NOTICE

*If the shift lever is moved while the vehicle is moving, the transmission may be damaged.*

The drive mode select switch (2) is located on the right handlebar switches.

To select the drive mode, operate the drive mode select switch. With the throttle fully closed, the drive mode can be changed during running.



(1) shift lever

(2) drive mode select switch