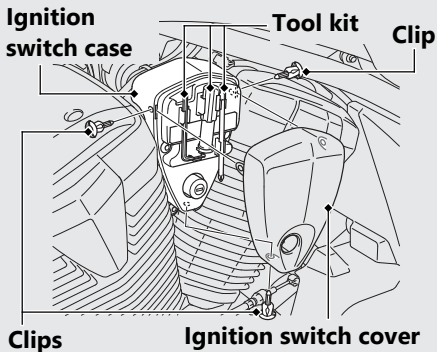


Tool Kit

The tool kit is stored on the face of the ignition switch case behind the ignition switch cover.



Removing the Ignition Switch Cover

- 1 Remove the clips. ➔ P.60
- 2 Remove the ignition switch cover.

Installing the Ignition Switch Cover

Install the parts in the reverse order of removal.