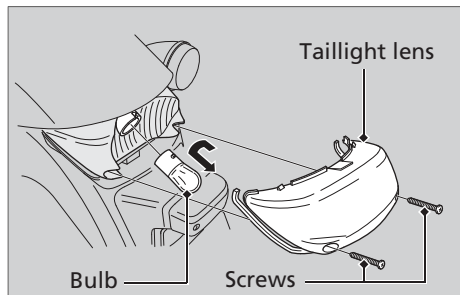
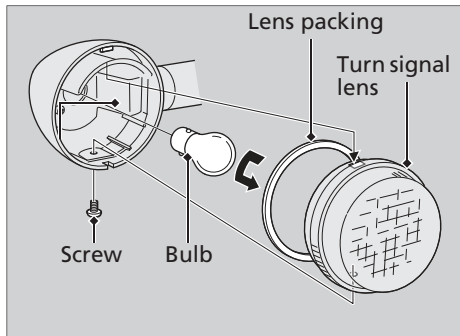


Brake/Taillight Bulb



1. Remove the taillight lens by removing the screws.
2. Slightly press the bulb in and turn it counterclockwise.
3. Install a new bulb and parts in the reverse order of removal.
 - After putting back the lens packing in place, install the taillight lens.

Front/Rear Turn Signal Bulb



1. Remove the turn signal lens and lens packing by removing the screw.
2. Slightly press the bulb and turn it counterclockwise.
3. Install a new bulb in the reverse order of removal.