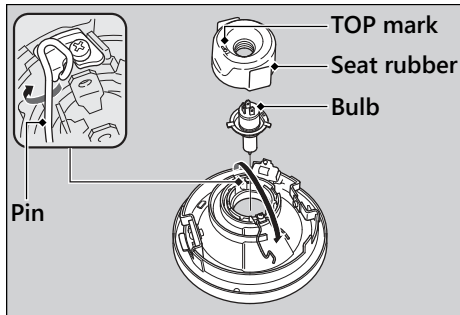
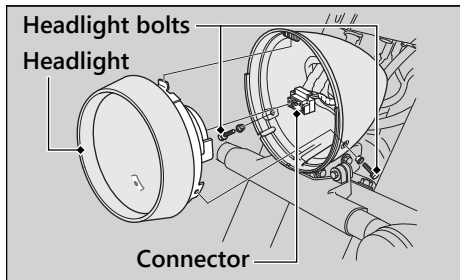


Headlight Bulb



1. Remove the headlight bolts from the headlight case.
2. Gently pull the lower end of the headlight forward and remove the headlight.
3. Disconnect the connector.
4. Remove the seat rubber.
5. Unhook the pin and remove the bulb.
6. Install a new bulb and parts in the reverse order of removal.
 - Install the seat rubber with its TOP mark facing up.
7. Tighten the headlight bolts.

Torque: 3.0 lbf·ft (4.1 N·m, 0.4 kgf·m)

Do not touch the glass surface with your fingers. If you touch the bulb with your bare hands, clean it with a cloth moistened with isopropyl (rubbing) alcohol.