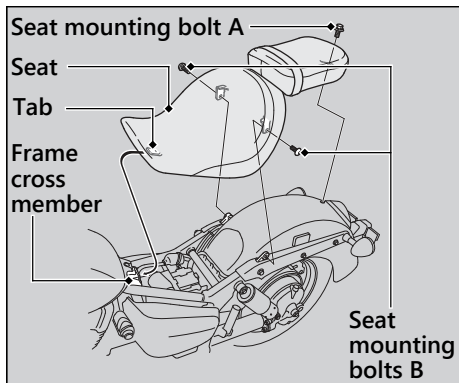


Seat



Removal

1. Remove the mounting bolt A and bolts B.
2. Pull the seat back and up.

Installation

1. Insert the tab into the frame cross member.
2. Tighten the seat mounting bolts B.

Torque: 19 lbf-ft (26 N·m, 2.7 kgf·m)

3. Tighten the seat mounting bolts A.

Torque: 9 lbf-ft (12 N·m, 1.2 kgf·m)