
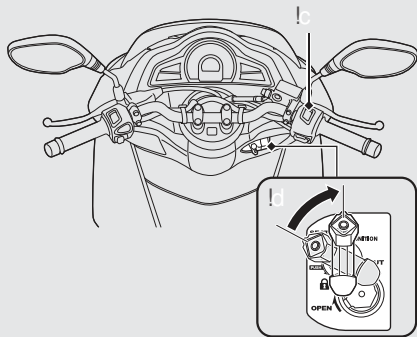


- !c Make sure the engine stop switch is in the  (Run) position.
- !d Turn the ignition switch to the ON position.



- !e Press the start button with the throttle completely closed. Release the start button as soon as the engine starts.

