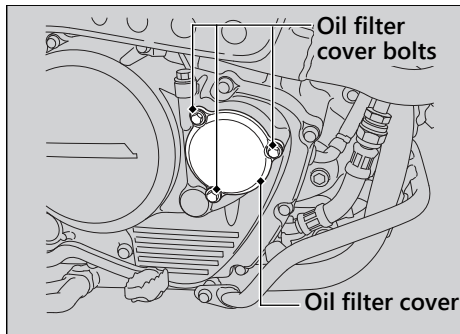


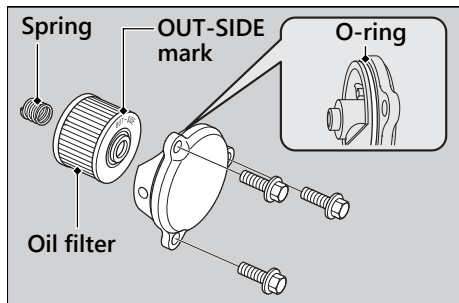
## Engine Oil ► Changing Engine Oil & Filter

- Remove the oil filter cover, oil filter and spring by removing the oil filter cover bolts and let the remaining oil drain out.
  - Discard the oil and oil filter at an approved recycling center.



- Replace the O-ring and apply a thin coat of engine oil to the new O-ring before installing it.

- Position the spring against the engine crankcase and install the new oil filter with the OUT-SIDE mark facing out.



- Install the oil filter cover by tightening the oil filter cover bolts.

**Torque:** 9 lbf-ft (12 N·m, 1.2 kgf·m)