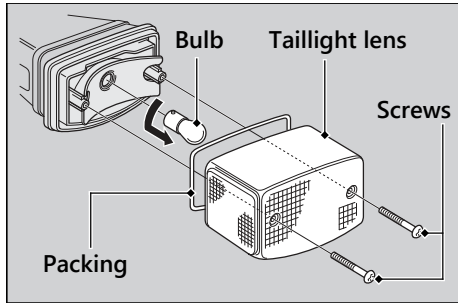
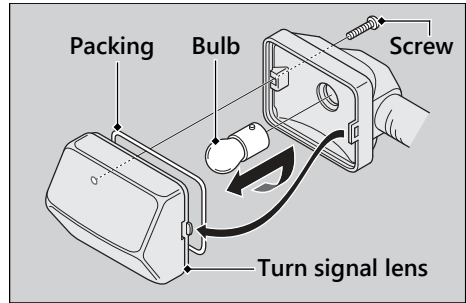


Brake/Tail Light Bulb



1. Remove the taillight lens by removing the screws.
2. Slightly press the bulb and turn it counterclockwise.
3. Install a new bulb and parts in the reverse order of removal.

Front/Rear Turn Signal Bulb



1. Remove the turn signal lens by removing the screw.
2. Slightly press the bulb and turn it counterclockwise.
3. Install a new bulb and parts in the reverse order of removal.