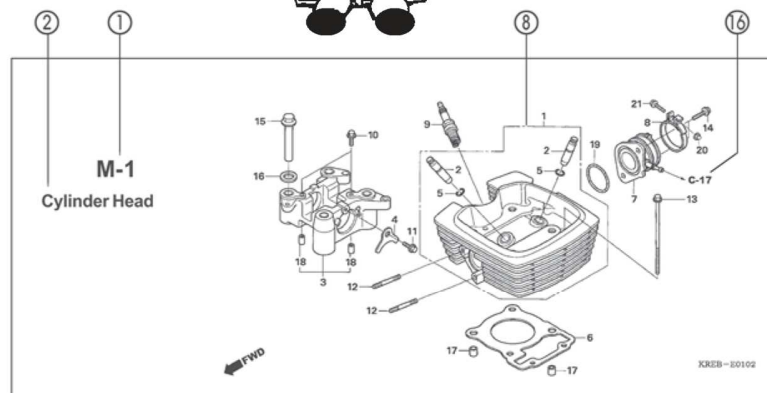
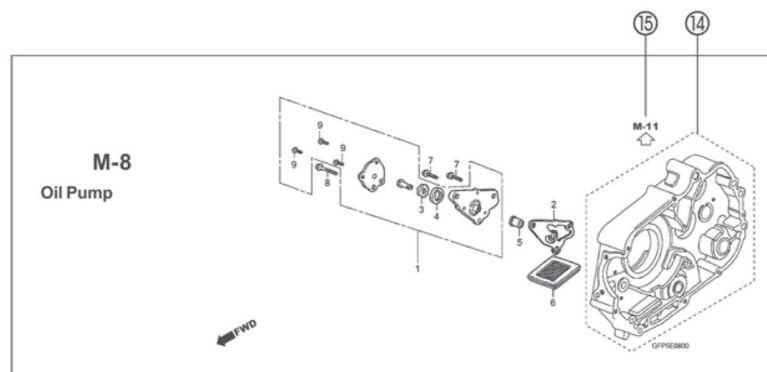


Parts Catalogue Structure



Ref. N°	L.O.N.	Service Item	F.R.T.	Ref. N°	Part. No.	Description	Reqd. Qty PCP100	Serial No.	Note
4	811175	Cable, Seat Lock	0.1	1	18327-KAE-000	Collar, Chamber Rr. (8.5x15)	2	2	
5	4131E8	Catch, Seat, Rear Side	0.1	2	61104-GCE-E40	Collar, Fr. Fender	2	2	
6	4131E4	Seat, Double	0.1	3	77151-KW3-000	Spring, Seat Lock	1	-	BR
13	4121K9	Cover, Seat Catch	0.1		77151-MB1-870		-	1	2LA,3LA
15	4131F2	Key, Seat Lock	0.2				-	1	
				4	77156-GFP-900	Cable, Seat Lock	1	1	
				5	77160-GFP-900	Bracket Comp., Seat Lock	1	1	
					77160-GFP-800		-	1	
				6	77200-GFP-900ZB	Seat Assy., Double	1	-	
					NHA0BL	Itaipu Gray	1	-	
					77200-GFP-900ZD	*RA08L*	1	-	
					77200-GFP-910ZA	*NH1L*	1	-	
					77201-GFP-900	Stay, Seat Hinge	1	1	
				8	94001-05070-0S	Clip, Harness Band (Black) (145mm)	1	1	



1 Block number

•Address No. is provided (in place of the page No.) to help you refer to the part with the part No. or part name.

2 Block title

3 Service item/Flat rate time

4 Reference number

•Title number marked with the parenthesis indicates that it continues from the previous page.

5 Part number

6 Description

7 HONDA color code

8 Assemblies

•Sections framed with broken lines in the exploded view drawings are available as complete assemblies. (Their individual parts can also be obtained).

9 Color description

10 Note

•Notes are shown with the parenthesis in the part name column.

11 Required quantity

•Reqd. QTY shown in the parenthesis indicates the optional part.

• Reqd. QTY marked with "N" indicates the optional part that should be selected as needed.

•Reqd. QTY indicates the number of the part used in the block.

12 Serial number

13 Parts catalogue code

•When the parts catalogue code column is blank, it indicates that the part is applicable to all codes.

14

• Parts enclosed within a dotted line are covered in a different block.

15

•A hollow arrow indicates the block No. for the parts enclosed within a dotted line.

16

•A solid arrow indicates the block No. the part in question is connected to.

1



Volter
Back
Volver